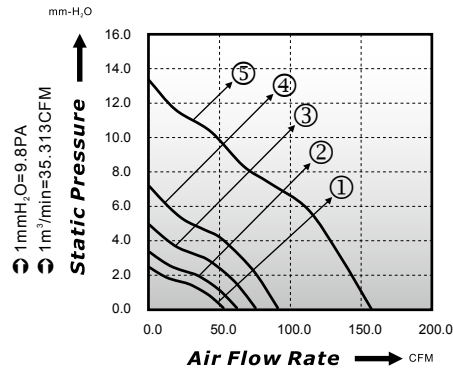


120x120x25mm

Model X

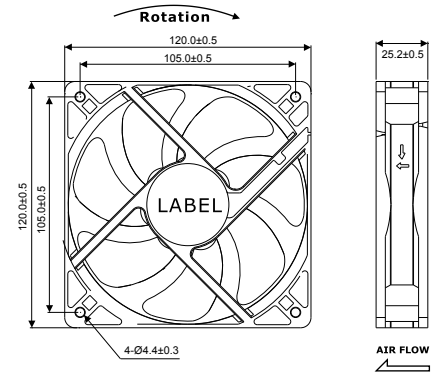


P-Q Curve (At Rated Voltage)



Dimensions Drawing

Unit: (mm)



Model No	Bearing (*)	Rated Voltage (VDC)	Rated Current (A)	Power Consumption (Watts)	Speed (rpm)	Air Flow (CFM)	Static Pressure (mmH ₂ O)	Noise (dBA)	Curve
ED12025-12L*	○ ● ⊖	12	0.12	1.44	1500	52.49	1.49	26.0	1
ED12025-12M*	○ ● ⊖	12	0.20	2.40	1800	61.93	2.06	31.0	2
ED12025-12H*	○ ● ⊖	12	0.28	3.36	2200	75.28	3.04	36.5	3
ED12025-12HHB	●	12	0.50	6.00	4500	157.46	13.35	54.0	4
ED12025-24L*	○ ● ⊖	24	0.10	2.40	1500	52.49	1.49	26.0	1
ED12025-24M*	○ ● ⊖	24	0.13	3.12	1800	61.93	2.06	31.0	2
ED12025-24H*	○ ● ⊖	24	0.20	4.80	2200	75.28	3.04	36.5	3
ED12025-24HHB	●	24	0.30	7.20	4500	157.46	13.35	54.0	4

* Bearing Type: ○ Sleeve ● Two Ball ⊖ Hydro-Dynamic